

DIFF

Forbes Marshall Diffuser

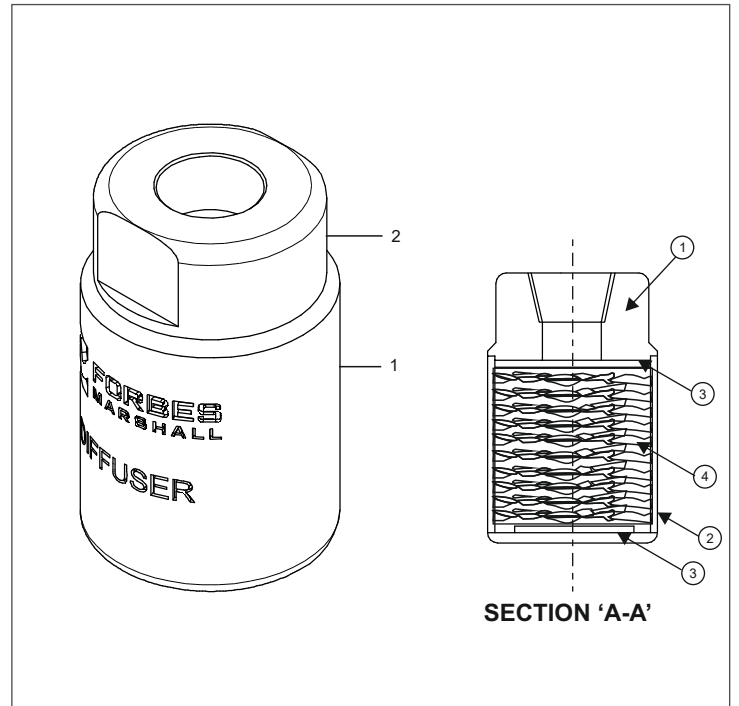
Description

The Forbes Marshall Diffuser DIFF is a compact unit designed to be fitted to the outlet of steam or air trap discharging to atmosphere. The diffuser reduces the problems of noise and erosion by dampening high velocity discharge. It can be fitted to any trap where conditions promote blast discharge similar to that associated with balanced pressure, inverted bucket or thermodynamic traps.

More than 80% reduction in the sound pressure level can be expected when measured at 1 meter from the discharge point.

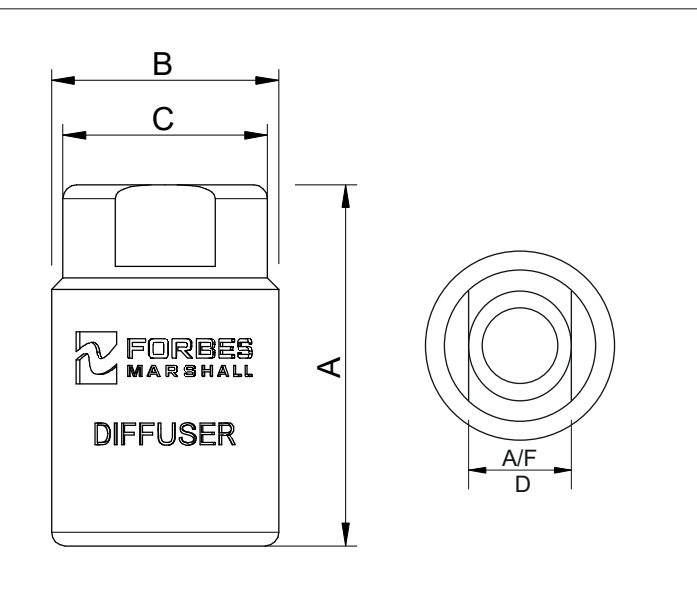
Size and End Connections

DN 15, DN20 Screwed BSPT / NPT / BSP.



Limiting Conditions

Suitable for use with all traps up to 44 bar g with discharge open to atmosphere.



Material

No	Part	Material	Standard
1	End Boss	Stainless Steel	ASTM A 276 TYPE 304
2	Case	Stainless Steel	ASTM A 213 TYPE 304
3	Screen	Stainless Steel	ASTM A 240 TYPE 304
4	Wool	Stainless Steel	SS304

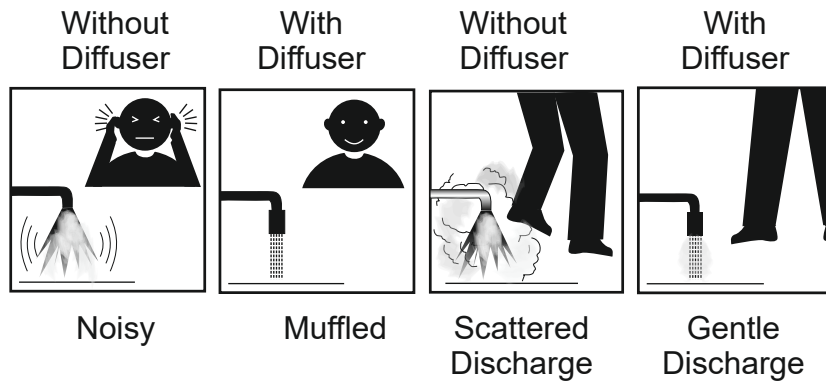
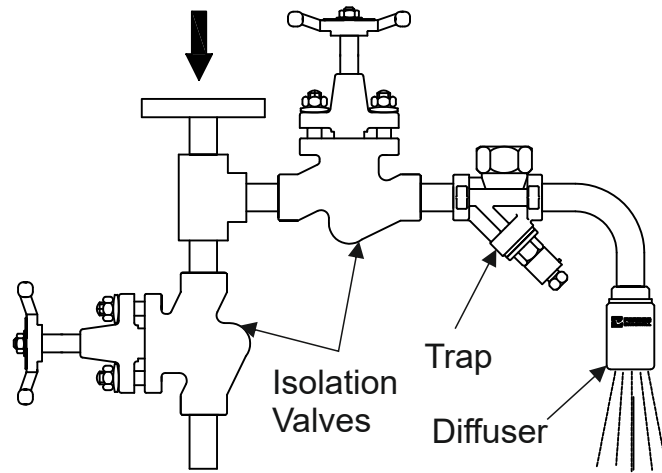
How to Order

1no. DN 15 Forbes Marshall Diffuser, DIFF, screwed BSPT, NIBR

Dimensions: (approx.) in mm

Size (DN)	A	B	C	D	Weight (kg)
15	64	38	30	30mm	0.4
20	64	38	30	32mm	0.4

Suggested Connection Diagram



Installation

The Diffuser should be fitted on the outlet side of a steam trap or air trap with a suitable fitting to ensure that the discharge of condensate is towards the ground or some enclosure.



www.forbesmarshall.com

Forbes Marshall Arca

Codel International

Krohne Marshall

Forbes Vyncke

Forbes Marshall Steam Systems

A: Forbes Marshall Pvt. Ltd.
Opp. 106th Milestone, CTS 2220,
Mumbai-Pune Road, Kasarwadi,
Pune MH 411034 INDIA

P: +91(0)20-68138555

F: +91(0)20-68138402

E: ccmidc@forbesmarshall.com

© All rights reserved. Any reproduction or distribution in part or as a whole without written permission of Forbes Marshall Pvt Ltd, its associate companies or its subsidiaries ("FM Group") is prohibited.

Information, designs or specifications in this document are subject to change without notice. Responsibility for suitability, selection, installation, use, operation or maintenance of the product(s) rests solely with the purchaser and/or user. The contents of this document are presented for informational purposes only. FM Group disclaims liabilities or losses that may be incurred as a consequence of the use of this information.

Forbes Marshall International Pte. Ltd.

16A, Tuas Avenue 1,
#05-21, JTC Space @Tuas
Singapore - 639533

P: +65 6219 3890

CIN No: U28996PN1985PTC037806