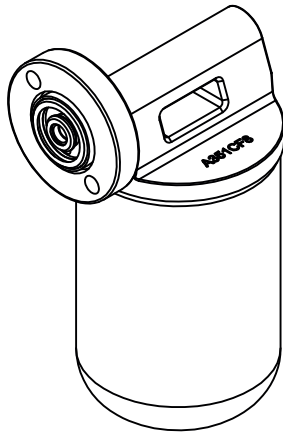


# Universal Inverted Bucket Trap FMBT66-U

### Description:

The FMBT66-U is an Universal Inverted Bucket Trap with a pipeline '360°' universal connection. This trap can be connected with any pipeline connector and is very easy to assemble/disassemble without affecting piping network. Totally sealed and stainless steel construction makes it compact and corrosion resistant.



### Technical Specifications:

#### Sizes & Pipe Connections:-

Body design conditions: ASME 600

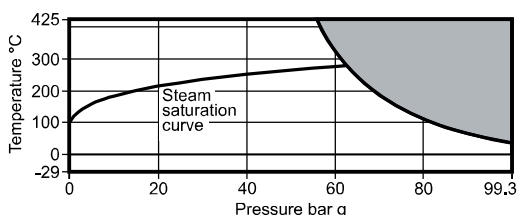
Universal Connection

Available with IBR Certificate on request.

Body design conditions	ASME 600	
PMA Maximum allowable pressure	99 bar g @ 38 deg C	
TMA Maximum allowable temperature	425 deg C	
Minimum allowable temperature	-29 deg C	
PMO Maximum operating pressure for saturated steam service	63 bar (g)	
TMO Maximum operating temperature	425 deg C	
Minimum operating temperature	0 deg C	
ΔPMX Maximum Differential Pressure	45.0 bar	FMBT66-U/45
	20.0 bar	FMBT66-U/20
	8.5 bar	FMBT66-U/8.5
	4.5 bar	FMBT66-U/4.5
Designed for a maximum cold hydraulic test pressure	94.5 bar (g) IBR	

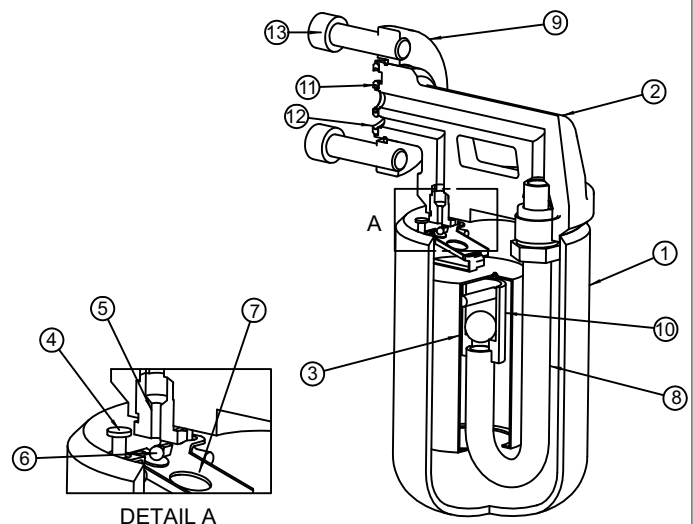
### Limiting Conditions:

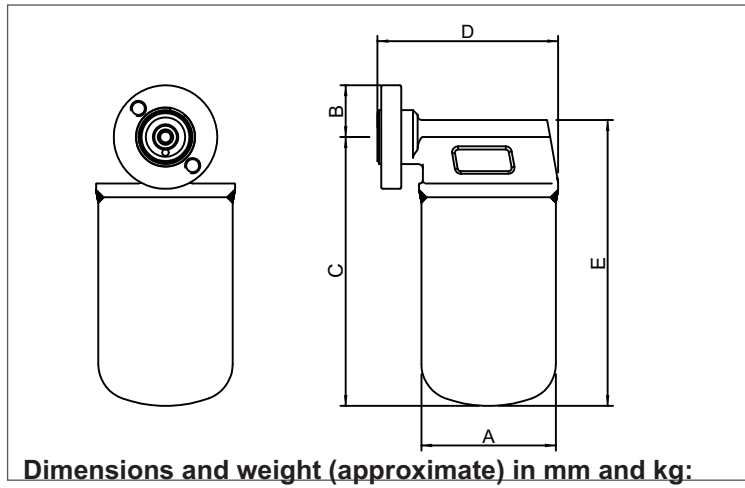
#### Pressure/Temperature limits



 The product **must not** be used in this region.

Sr.No.	Part	Material
1	Cover	ASTM A240 Gr. 304
2	Body	ASTM A351 CF8
3	Bucket	ASTM A240 Gr. 304
4	Plate Assembly	STAINLESS STEEL
5	Valve Seat	AISI 431
6	Valve	AISI 440C
7	Lever assembly	STAINLESS STEEL
8	Internal tube	ASTM A213 Gr. 304
9	U-Flange	ASTM A105N
10	Check Valve	STAINLESS STEEL
11	Inlet Gasket	GRAPHITE/STAINLESS STEEL LAMINATE AISI 304 STRIP
12	Outlet Gasket	GRAPHITE/STAINLESS STEEL LAMINATE AISI 304 STRIP
13	Connector screws	ASTM A193 B7





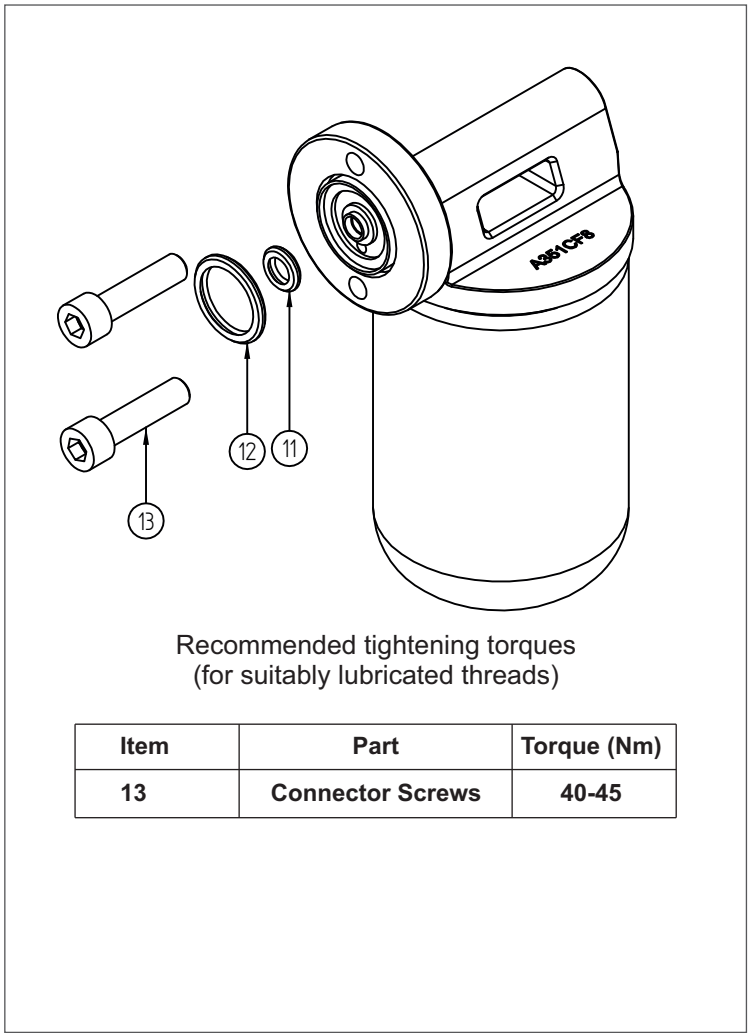
A	B	C	D	E	Weight (Kg)
90	33.5	179	116	189	3

**How to Order**

Spare Parts:  
 Available spares  
 Connector screws --- 13  
 Gasket kit-- 11, 12

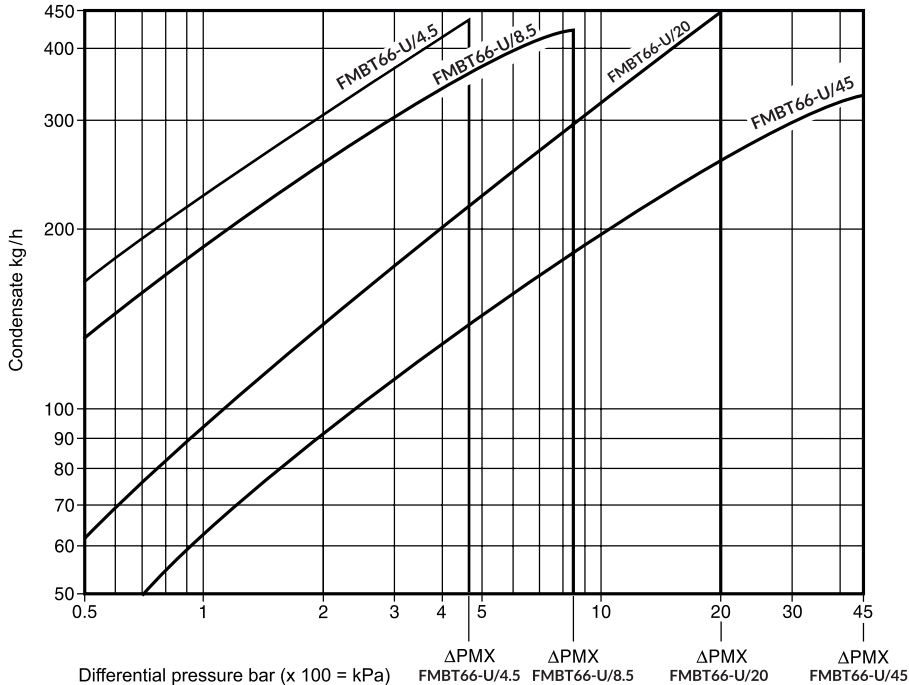
**How to order Spares**

Always order spares by using given in column headed 'Available spares' and state the type of trap.  
 Example:1- Connector screw and gasket kit for FMBT66-U sealed inverted bucket steam trap.



Item	Part	Torque (Nm)
13	Connector Screws	40-45

**Capacities:**



www.forbesmarshall.com

- Forbes Marshall Arca
- Codel International
- Krohne Marshall
- Forbes Vyncke
- Forbes Marshall Steam Systems

**A: Forbes Marshall Pvt. Ltd.**  
 Opp. 106th Milestone, CTS 2220,  
 Mumbai-Pune Road, Kasarwadi,  
 Pune MH 411034 INDIA  
**P:** +91(0)20-68138555  
**F:** +91(0)20-68138402

**E:** ccmidc@forbesmarshall.com  
 © All rights reserved. Any reproduction or distribution in part or as a whole without written permission of Forbes Marshall Pvt Ltd, its associate companies or its subsidiaries ("FM Group") is prohibited. Information, designs or specifications in this document are subject to change without notice. Responsibility for suitability, selection, installation, use, operation or maintenance of the product(s) rests solely with the purchaser and/or user. The contents of this document are presented for informational purposes only. FM Group disclaims liabilities or losses that may be incurred as a consequence of the use of this information.

**Forbes Marshall International Pte. Ltd.**  
 16A, Tuas Avenue 1,  
 #05-21, JTC Space @Tuas  
 Singapore - 639533  
**P:** +65 6219 3890  
**CIN No:** U28996PN1985PTC037806