

Forbes Marshall Sensor Chamber FMSC41

Description

The Forbes Marshall SG Iron Sensor Chamber, FMSC41 is designed to operate on saturated steam systems only, to indicate whether a steam trap is leaking steam. When combined with the waterlogging sensor assembly, it will detect if a steam trap has failed closed or is blocked. As a standard, the sensor chamber has the sensor connection on the right hand side of the chamber when viewed from the direction of flow.

Sizes

DN 15, DN 20 DN25 and DN50
End Connections: Screwed BSPT/NPT

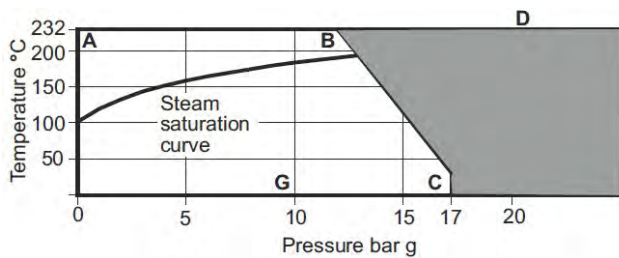
Notes

1. Available with IBR certificate

Limiting Conditions

Max operating pressure	17 bar g
Max operating temperature	232°C
Cold Hydraulic test pressure	26 bar g
Min operating temperature	0°C

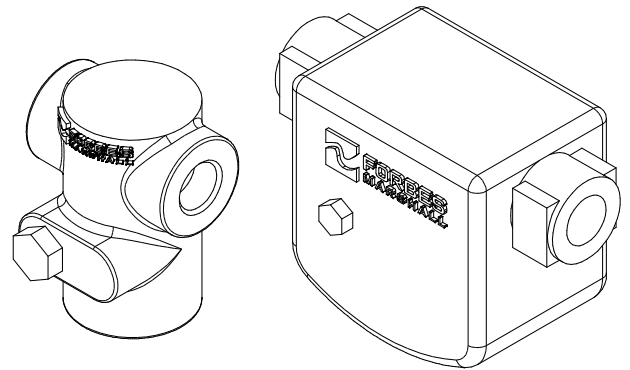
Operating Range



 The product **must not** be used in this region.

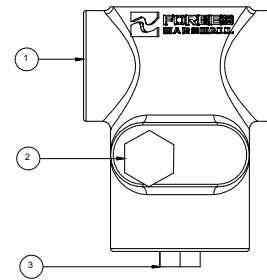
Dimensions (approx.) in mm For FMSC41 (SG Iron)

Size	A	B	C	Weight
DN15	75	95	23	1.5 Kg
DN20	75	95	23	1.5 Kg
DN25	122	120	28	3 Kg
DN40	252	215	45	5 Kg
DN50	252	215	45	5 Kg



DN15-25NB

DN40-50NB



General Arrangement

Figure 1: Forbes Marshall Thermodynamic Trap

Material

Sr.No.	Description	Material	Standard
1	Sensor Chamber	SG Iron	EN-JS 1025
2	Sensor Plug(1/8"BSPT)	Stainless Steel	SS304
3	Drain Plug	Forged Carbon Steel	ASTMA 105

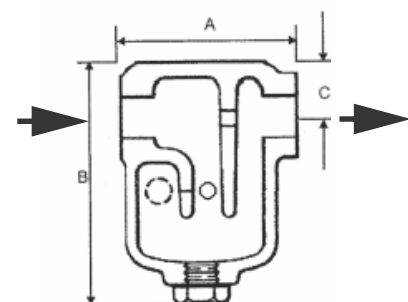


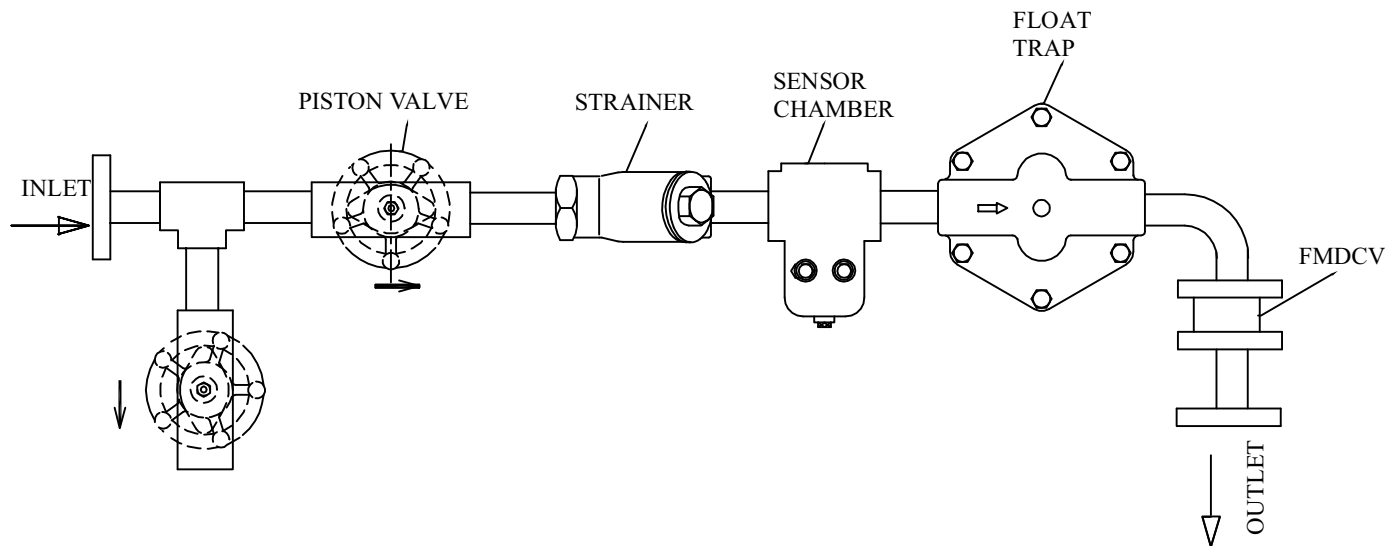
Figure 2: Dimensional Drawing of FMSC41

Installation

The sensor chamber should be installed immediately up stream of the trap (close coupled) in a horizontal position with the direction of flow according to the arrows provided on the body.

How to Order

Example: 1 No. DN 20 Forbes Marshall Sensor Chamber FMSC41 SG Iron Screwed BSPT



GENERAL ARRANGEMENT OF INSTALLATION



www.forbesmarshall.com

Forbes Marshall Arca

Codel International

Krohne Marshall

Forbes Vyncke

Forbes Marshall Steam Systems

A: Forbes Marshall Pvt. Ltd.
Opp. 106th Milestone, CTS 2220,
Mumbai-Pune Road, Kasarwadi,
Pune MH 411034 INDIA
P: +91(0)20-68138555
F: +91(0)20-68138402

E: ccmidc@forbesmarshall.com

© All rights reserved. Any reproduction or distribution in part or as a whole without written permission of Forbes Marshall Pvt Ltd, its associate companies or its subsidiaries ("FM Group") is prohibited.

Information, designs or specifications in this document are subject to change without notice. Responsibility for suitability, selection, installation, use, operation or maintenance of the product(s) rests solely with the purchaser and/or user. The contents of this document are presented for informational purposes only. FM Group disclaims liabilities or losses that may be incurred as a consequence of the use of this information.

Forbes Marshall International Pte. Ltd.
16A, Tuas Avenue 1,
#05-21, JTC Space @Tuas
Singapore - 639533
P: +65 6219 3890

CIN No: U28996PN1985PTC037806