

FMSEP31

Forbes Marshall Moisture Separator - Cast Iron

Description

The Forbes Marshall Moisture Separator FMSEP31 (screwed) is a cast iron baffle type separator used for the removal of entrained liquids in steam, so that they can be drained away as condensate.

Size and End Connections

DN 15 and DN 20-Screwed BSPT/NPT/BSP
 DN 25 to DN 250 Flanged (for details, see overleaf)
 Note: Available with IBR test certificates, on request.

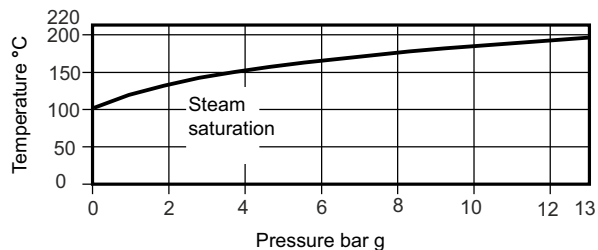
Optional insulation jackets are available that will increase the performance of the separator.

Limiting Conditions (DN 15,20) (FMSEP31)

Max. Operating pressure	13 bar g at 220°C
Max. Operating temperature	220 °C at 13 bar g
Cold hydraulic test pressure	19.5 bar g
Min. Operating Temperature	0°C

Operating Range

For FMSEP31



Material (FMSEP31)

No	Part	Material	Standard
1	Body	Cast Iron	IS 210 Gr FG 260
2	Baffle Plate	Cast Iron	IS 210 Gr FG 260
3	Cover	Cast Iron	IS 210 Gr FG 260
4	Gasket	Asbestos free	IS 2712
5	Hex HT Bolt	Carbon Steel	IS1367 Gr. 8.8

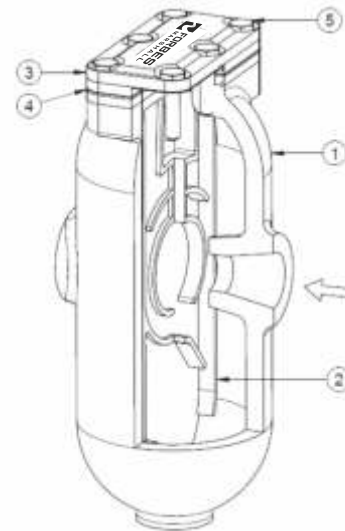
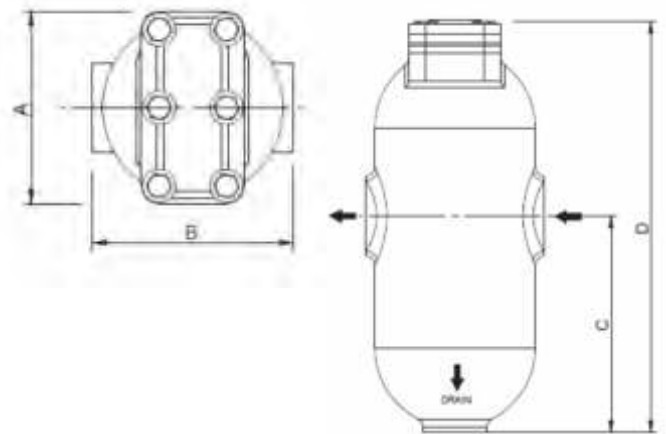


Fig : FMSEP31



Dimensions: (approx.) in mm for FMSEP31 DN15/20

Size	Dimensions				Weight Kg
	A	B	C	D	
DN 15	86	90	110	215	4
DN 20	83	115	143	248	6.3

General Tolerance ± 3

How to Order

Example : DN20 BSPT Forbes Marshall Moisture Separator FMSEP31, IBR



www.forbesmarshall.com

Forbes Marshall Arca

Codel International

Krohne Marshall

Forbes Vyncke

Forbes Marshall Steam Systems

A: Forbes Marshall Pvt. Ltd.
Opp. 106th Milestone, CTS 2220,
Mumbai-Pune Road, Kasarwadi,
Pune MH 411034 INDIA

P: +91(0)20-68138555

F: +91(0)20-68138402

E: ccmidc@forbesmarshall.com

© All rights reserved. Any reproduction or distribution in part or as a whole without written permission of Forbes Marshall Pvt Ltd, its associate companies or its subsidiaries ("FM Group") is prohibited. Information, designs or specifications in this document are subject to change without notice. Responsibility for suitability, selection, installation, use, operation or maintenance of the product(s) rests solely with the purchaser and/or user. The contents of this document are presented for informational purposes only. FM Group disclaims liabilities or losses that may be incurred as a consequence of the use of this information.

Forbes Marshall International Pte. Ltd.
16A, Tuas Avenue 1,
#05-21, JTC Space @Tuas
Singapore - 639533

P: +65 6219 3890

CIN No: U28996PN1985PTC037806