

# FMTLT63-U

## Forbes Marshall Universal Tracer Line Trap

### Description

The Forbes Marshall Universal Tracer Line Trap, FMTLT63-U, is a maintainable balanced pressure steam trap manufactured in stainless steel. It is designed for steam pressures up to 32 barg. When installed with a suitable pipeline connector the FMTLT63-U can easily and simply be removed without breaking into the pipeline thus speeding up trap replacement with minimum system downtime. The pipeline connector is available with screwed and socket weld connections. It is supplied with an inbuilt check valve.

### Thermopod Fill and Operation

As a standard the FMTLT63-U is supplied with a thermostatic thermopod ("T" fill) which operates approximately 12°C below steam saturation temperature. It can also be supplied with a thermopod operating close to saturation 6°C ("C" fill) or under cooled 24°C below ("U" fill).

### Sizes and Pipe Connections

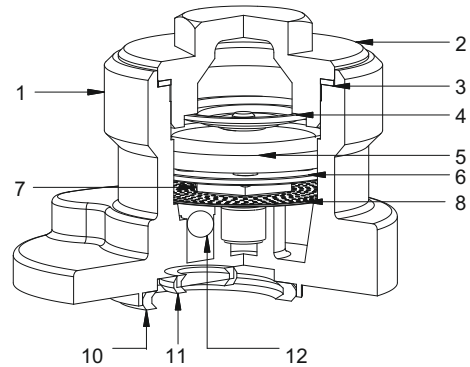
The FMTLT63-U can be fitted to pipeline connector. See the separate technical information sheet for details of connections available on pipeline connector.

### Limiting Conditions

PMO-Max. operating pressure	32 bar g
TMO-Max. operating temperature	287°C
Max. cold hydraulic test pressure	64 bar g
Minimum Operating temperature	0°C

**Note:** The model of pipeline connector and connection selected will dictate the maximum operating pressure and temperature of the complete assembly. Consult the specified technical information sheet for this information.

FMTLT63-U is available with IBR certificate on request



### Materials

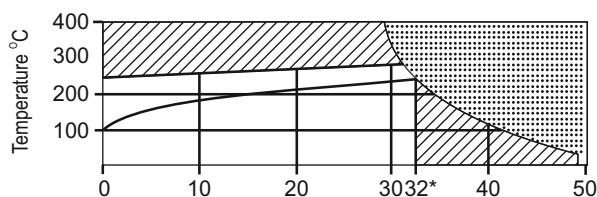
No	Part	Material	Standard
1	Body	CF8	ASTM A 351
2	Cap	CF8	ASTM A 351
3	Gasket	SS304 with exfoliated graphite	-
4	Spring	Stainless Steel	ASTM A 276 302
5	Capsule	Stainless Steel	-
6	SpacerPlate	Stainless Steel	ASTM A 276 304
7	Seat	Stainless Steel	ASTM A 276 431
8	Screen	Stainless Steel	ASTM A 276 304
9	Gasket	Stainless Steel	-
10	Spiral Gasket-Inner	Stainless Steel/ Graphite filler	-
11	Spiral Gasket-Outer	Stainless Steel/- Graphite filler	-
12	Ball	Stainless Steel	AISI 440C
13	Connector Screws (Not Shown above)	Carbon Steel	ASTM A 193 B7


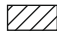
Total assembly weight is 0.5 kg

### Installation

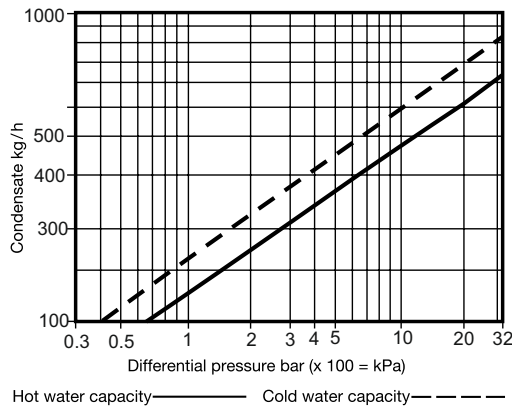
The FMTLT63-U can be installed on pipeline connector in any plane (see separate installation and maintenance instruction for Forbes Marshall pipeline connectors). Remove the protective plastic cover and ensure that both gaskets are clean and undamaged and that the transfer holes are clear. Place the FMTLT63-U body against the module gasket face and apply a small amount of anti-seize compound to the threads of the connector screws (13). Tighten screws finger tight and ensure that the trap body is parallel to the module. Tighten the screws to the recommended torque. Open isolation valves slowly until normal operating conditions are achieved. Check for leaks.

### Operating Range



-  The product must not be used in this region
-  The product should not be used in this region or beyond its operating range as damage to the internals may occur.

### Capacity Chart



### Maintenance

Before undertaking any maintenance on the trap it must be isolated from both supply line and return line and any pressure allowed to safely normalise to atmosphere. The trap should then be allowed to cool at ambient temperature. Always ensure that the correct tools, safety procedures and protective equipment are used at all times. Replacement of the trap unit is achieved by removing the two connector screws and removing the trap. The new trap unit should be positioned against the pipeline connector gasket face and apply a small amount of anti-seize compound to the threads of the connector screws (13). Tighten screws finger tight and ensure that the trap body is parallel to the pipeline connector. Tighten the screws to the specified torque. Open isolation valves slowly until normal operating conditions are achieved. Check for leaks.

### Disposal of Product

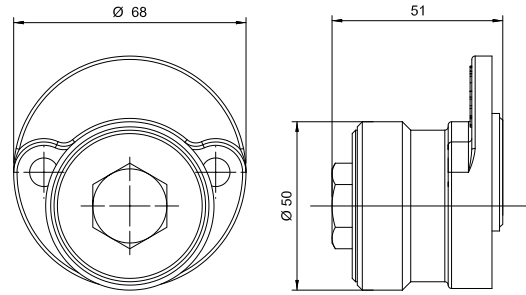
The FMTLT63-U trap unit is manufactured from stainless steel and is therefore totally recyclable. No ecological hazard is anticipated with the disposal of this product provided due care is taken.

### How to Specify

Steam traps shall be of the maintainable balanced pressure thermostatic type manufactured in stainless steel and be suitable for operating pressure up to 32 bar g. Traps can be maintained and connected to a separate pipeline connector by two screws to allow for quick and simple installation / replacement. The thermostatic thermopod is to operate at 12°C/ 6°C/24°C below steam temperature depending on the capsule selected. Traps can be installed in any plane.

### How to Order

When ordering the FMTLT63-U and pipeline connector they must be ordered individually as they are supplied as separate components to ease installation. Each FMTLT63-U is supplied in a protective box complete with inner and outer gaskets (securely crimped in place) and two connector screws.



### Recommended Tightening Torques

Item	Torque (Nm)
Cap (2)	100-110
M10 (13)	40-45

### Spare Parts

The spares which are available are shown in heavy outline in the figure below. Parts shown in a broken line are not available as spares.

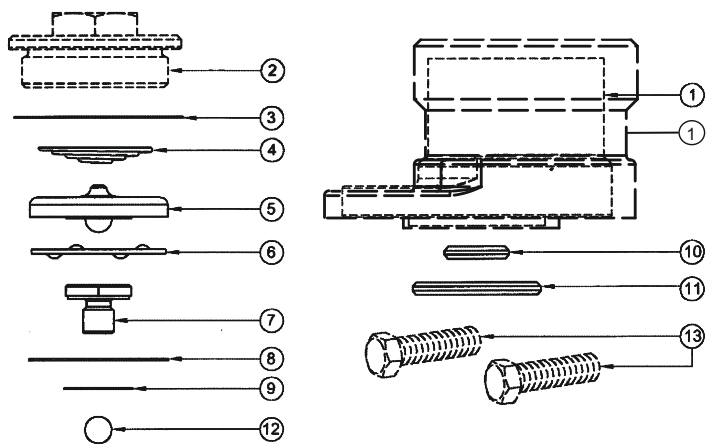
#### Available Spares

Thermopod and Seat Assembly (State Thermopod filling) U, T OR C FILL	4, 5, 6 and 7
Screen and Gasket Kit	3, 8, 9
Spiral Gasket set	10,11

### How to Order Spares

Always order spares parts by using the description given in the column headed available spares and state the size, Model No. and pressure rating of the trap.

Example: Screen and Gasket Kit for FMTLT63-U.



www.forbesmarshall.com

Forbes Marshall Arca

Codel International

Krohne Marshall

Forbes Vyncke

Forbes Marshall Steam Systems

**A: Forbes Marshall Pvt. Ltd.**  
Opp. 106th Milestone, CTS 2220,  
Mumbai-Pune Road, Kasarwadi,  
Pune MH 411034 INDIA

**P:** +91(0)20-68138555

**F:** +91(0)20-68138402

**E:** ccmidc@forbesmarshall.com

© All rights reserved. Any reproduction or distribution in part or as a whole without written permission of Forbes Marshall Pvt Ltd, its associate companies or its subsidiaries ("FM Group") is prohibited.

Information, designs or specifications in this document are subject to change without notice. Responsibility for suitability, selection, installation, use, operation or maintenance of the product(s) rests solely with the purchaser and/or user. The contents of this document are presented for informational purposes only. FM Group disclaims liabilities or losses that may be incurred as a consequence of the use of this information.

**Forbes Marshall International Pte. Ltd.**

16A, Tuas Avenue 1,  
#05-21, JTC Space @Tuas  
Singapore - 639533

**P:** +65 6219 3890

**CIN No:** U28996PN1985PTC037806

DOC# FMSS/0824/TIS-FMTLT63-U/R1