

# FMVH

## Forbes Marshall Vent Head

### Description

The Forbes Marshall Vent Head, FMVH, is designed to fit vertical open-ended steam vent pipes. The vent head will discharge dry steam at low velocity safely to atmosphere protecting personnel from injury and buildings from material damage. The vent head incorporates an internal baffle to separate entrained water from the steam and discharges separately through the drain connection.

### Applications

The FMVH is ideal for use on blowdown vessels, condensate vessels, boiler feedtanks, hot water storage tanks etc.

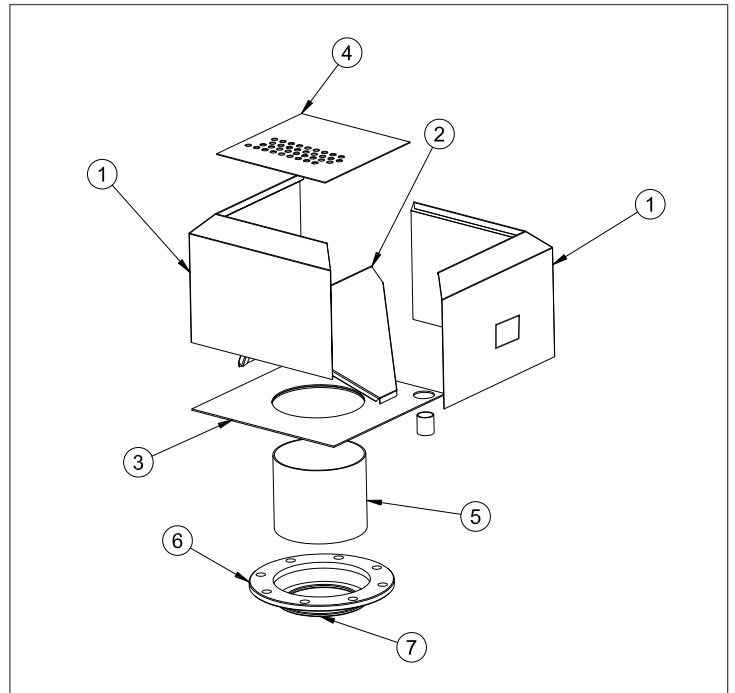
**Warning :** FMVH must not be used for safety valve outlets. Vent Heads are selected to be the same nominal size as the vent pipe.

- Efficient separation
- Reduces discharge velocity and noise
- Stainless steel body for long maintenance free life.
- A simple and effective vent head for general applications

### Available Sizes & End Connections

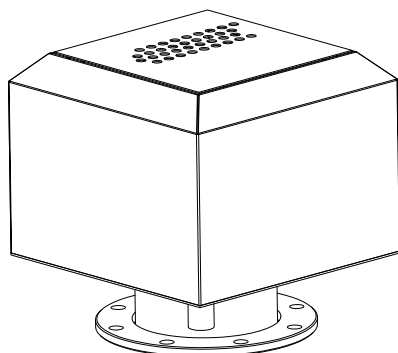
DN 50, 80, 100, 150, 200, 250, 300, 350, 400, 450, 500

Flange Connection : Class 150 / PN16



### Materials

Sr. No.	Part	Material	Standard
1	Outer Cover	SS304	ASTM A 240
2	Baffle Plate	SS304	ASTM A 240
3	Base Plate	SS304	ASTM A 240
4	Screen	SS304	ASTM A 240
5	Pipe	SS304	ERW SCH10S
6	Flange	Carbon Steel	SA 516 GR 70
7	Ring	Carbon Steel	SA 516 GR 70



## Sizes / Pipe Connections with Dimensions (mm)

MODEL	VENT HEAD	INLET SIZE	DRAIN SIZE	DIM H	DIM W	DIM C	WT (Kg)
50FMVH	DN50	DN50 SCR D BSP	DN20 SCR D BSP	210	152	20	2
80FMVH	DN80	DN80 SCR D BSP	DN20 SCR D BSP	270	202	20	2.5
100FMVH	DN100	DN100	DN25 SCR D NPT	320	240	24	6
150FMVH	DN150	DN150	DN25 SCR D NPT	390	340	25	13
200FMVH	DN200	DN200	DN40 SCR D NPT	430	425	35	20
250FMVH	DN250	DN250	DN40 SCR D NPT	495	525	35	28
300FMVH	DN300	DN300	DN50	570	625	45	35
350FMVH	DN350	DN350	DN50 SCR D BSP	685	725	45	40
400FMVH	DN400	DN400	DN40 SCR D BSP	652	750	45	50
450FMVH	DN450	DN450	DN40 SCR D BSP	742	850	45	55
500FMVH	DN500	DN500	DN40 SCR D NPT	862	1000	45	65

Flange Connection : Class 150 / PN16

### Installation and Maintenance

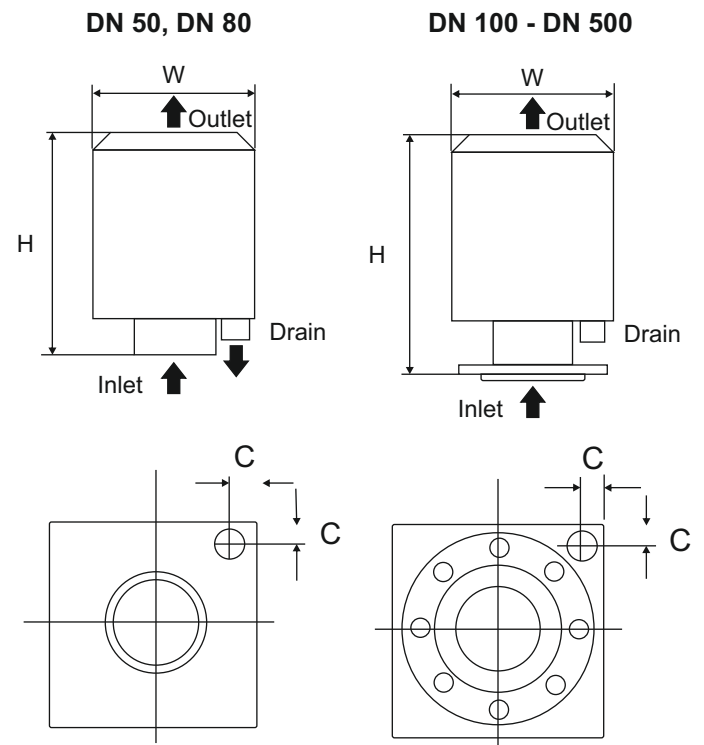
Installation of the screwed and flanged vent heads is straight forward. The flanged vent heads have a lightweight flange drilled to suit the flange standard specified. The lap joint flange allows easy rotation to position the drain connection. The drain should be piped to a safe position where there is no possibility of discharging excessively hot water to drain. We recommend that an annual inspection is carried out to ensure that no debris is restricting the outlet or drain connection.

### How to Specify

FMVH with austenitic stainless steel construction and screwed / carbon steel flanges. Vent heads shall incorporate an internal baffle and a screwed drain outlet connection.

### How to Order

1 No. Forbes Marshall Vent Head FMVH with inlet flanged to suit Class 150, drain 1" NPT



www.forbesmarshall.com

Forbes Marshall Arca

Codel International

Krohne Marshall

Forbes Vyncke

Forbes Marshall Steam Systems

**A: Forbes Marshall Pvt. Ltd.**  
Opp. 106th Milestone, CTS 2220,  
Mumbai-Pune Road, Kasarwadi,  
Pune MH 411034 INDIA

**P: +91(0)20-68138555**

**F: +91(0)20-68138402**

**E: ccmidc@forbesmarshall.com**

© All rights reserved. Any reproduction or distribution in part or as a whole without written permission of Forbes Marshall Pvt Ltd, its associate companies or its subsidiaries ("FM Group") is prohibited.

Information, designs or specifications in this document are subject to change without notice. Responsibility for suitability, selection, installation, use, operation or maintenance of the product(s) rests solely with the purchaser and/or user. The contents of this document are presented for informational purposes only. FM Group disclaims liabilities or losses that may be incurred as a consequence of the use of this information.

**Forbes Marshall International Pte. Ltd.**

16A, Tuas Avenue 1,  
#05-21, JTC Space @Tuas  
Singapore - 639533

**P: +65 6219 3890**

**CIN No: U28996PN1985PTC037806**

DOC# FMSS/0824/TIS-FMVH/R2