

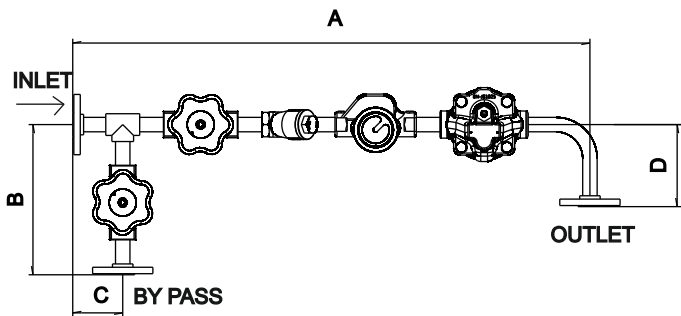
# Variants of SOFT31 Modules

**SOFT31 Modules also available with following Variants given with Dimensions:**

- 1) Float Trap SOFT31 Module with View Glass & without Disc Check Valve.
- 2) Float Trap SOFT31 Module with Disc Check Valve & without View Glass.
- 3) Float Trap SOFT31 Module without Disc Check Valve & without View Glass.

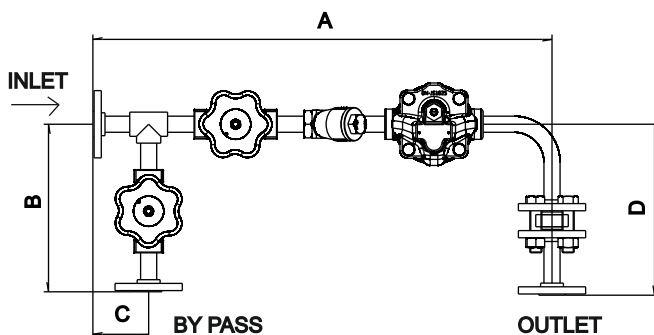
**Dimensions (Gen. tol.  $\pm 5.0\text{mm}$ )**

**a) DN 15-25 SOFT31 MODULE WITH VIEW GLASS & WITHOUT DISC CHECK VALVE**



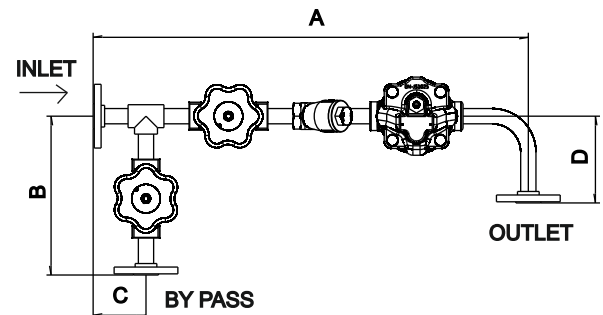
Size DN	A	B	C	D	Weight (Appx)
15	763	222	74	121	14.5 Kg
20	792	218	80	121	16.5 Kg
25	900	276	90.5	223	19.0 Kg

**b) DN 15-25 SOFT31 MODULE WITH DISC CHECK VALVE & WITHOUT VIEW GLASS**



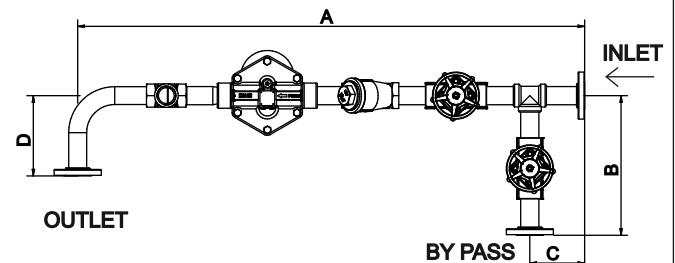
Size DN	A	B	C	D	Weight (Appx)
15	607	222	74	226	14.5 Kg
20	634	218	80	218	16.5 Kg
25	700	276	90.5	276	19.0 Kg

**c) DN 15-25 SOFT31 MODULE WITHOUT DISC CHECK VALVE & WITHOUT VIEW GLASS**



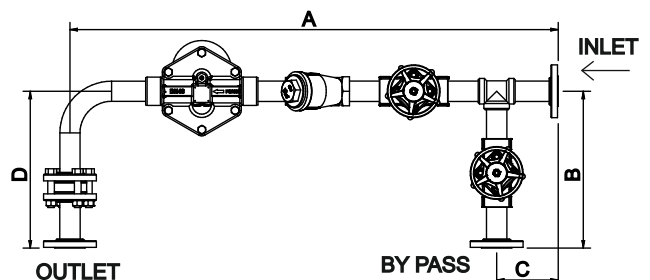
Size DN	A	B	C	D	Weight (Appx)
15	607	222	74	121	12.5 Kg
20	634	218	80	2	14.5 Kg
25	700	276	90.5	223	17.0 Kg

**d) DN 40 SOFT31 MODULE WITH VIEW GLASS & WITHOUT DISC CHECK VALVE**



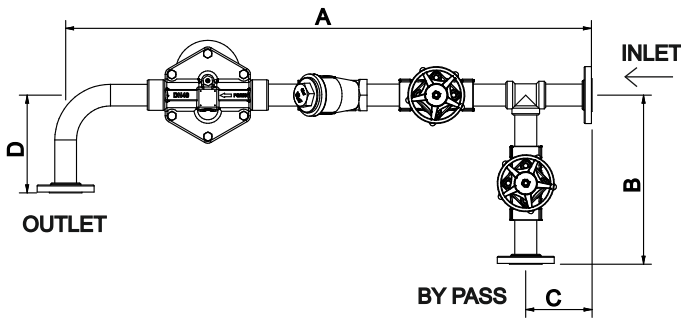
Size DN	A	B	C	D	Weight (Appx)
40	1369	377	148	217	36.0 Kg

**e) DN 40 SOFT31 MODULE WITH DISC CHECK VALVE & WITHOUT VIEW GLASS**



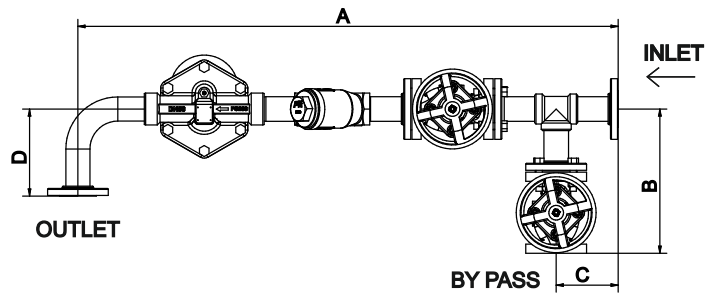
Size DN	A	B	C	D	Weight (Appx)
40	1174	377	148	377	38.0 Kg

**f) DN 40 SOFT31 MODULE WITHOUT DISC CHECK VALVE & WITHOUT VIEW GLASS**



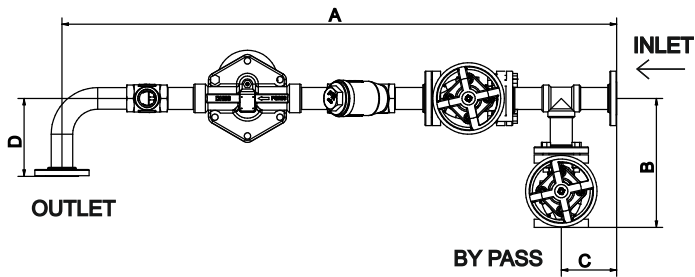
Size DN	A	B	C	D	Weight (Appx)
40	1174	377	148	377	38.0 Kg

**i) DN 50 SOFT31 MODULE WITHOUT DISC CHECK VALVE & WITHOUT VIEW GLASS**



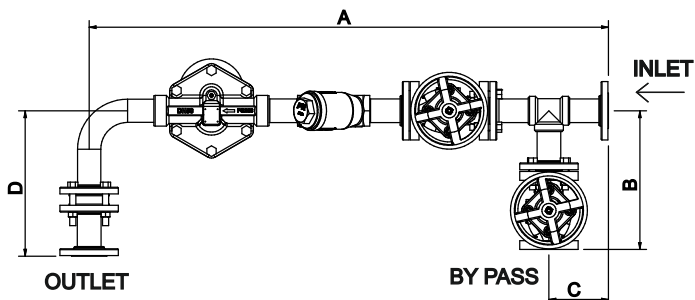
Size DN	A	B	C	D	Weight (Appx)
50	1352	361	155	218	58.0 Kg

**g) DN 50 SOFT31 MODULE WITH VIEW GLASS & WITHOUT DISC CHECK VALVE**



Size DN	A	B	C	D	Weight (Appx)
50	1552	361	155	218	61.0 Kg

**h) DN 50 SOFT31 MODULE WITH DISC CHECK VALVE & WITHOUT VIEW GLASS**



Size DN	A	B	C	D	Weight (Appx)
50	1352	361	155	378	65.0 Kg



Forbes Marshall  
 Krohne Marshall  
 Forbes Marshall Arca  
 Codel International  
 Forbes Solar  
 Forbes Vyncke  
 Forbes Marshall Steam Systems

Opp 106th Milestone  
 Bombay Poona Road  
 Kasarwadi, Pune - 411 034. INDIA  
 Tel : 91(0)20-27145595, 39858555  
 Fax : 91(0)20-27147413

Email : [seg@forbesmarshall.com](mailto:seg@forbesmarshall.com), [ccmidc@forbesmarshall.com](mailto:ccmidc@forbesmarshall.com)

© All rights reserved. Any reproduction or distribution in part or as a whole without written permission of Forbes Marshall Pvt Ltd, its associate companies or its subsidiaries ("FM Group") is prohibited.

Information, designs or specifications in this document are subject to change without notice. Responsibility for suitability, selection, installation, use, operation or maintenance of the product(s) rests solely with the purchaser and/or user. The contents of this document are presented for informational purposes only. FM Group disclaims liabilities or losses that may be incurred as a consequence of the use of this information.

B-85, Phase II, Chakan Indl Area  
 Sawardari, Chakan, Tal. Khed  
 Dist. Pune - 410 501. INDIA  
 Tel : 91(0)2135-393400

A-34/35, MIDC H Block  
 Pimpri, Pune - 411 018. INDIA.  
 Tel : 91(0)20-27442020, 39851199  
 Fax : 91(0)20-27442040

CIN No.: U28996PN1985PTC037806  
[www.forbesmarshall.com](http://www.forbesmarshall.com)