

# SOFT63-U

## Single Orifice Float Trap

### Description

The SOFT63-U is an austenitic stainless steel maintainable float type steam trap with an universal end connection and can be installed with a suitable Forbes Marshall pipeline connector. It has integral automatic air venting facility. It is designed for differential steam pressures up to 32 bar. SOFT63-U is fitted by two screws to a pipe line connector and can be easily removed without breaking into the pipeline, thus the maintenance is quick and easily undertaken with minimum system downtime. Pipeline connectors are available with screwed, socket weld and flanged end connections.

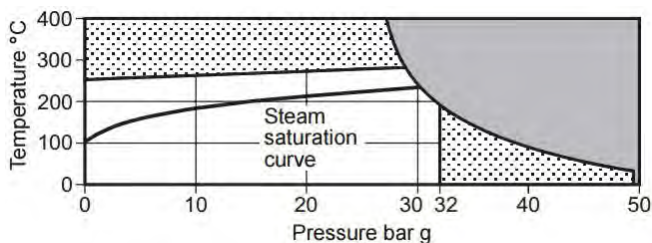
### Sizes and Pipe Connection

SOFT63-U can be fitted to Forbes Marshall pipeline connector. See the separate technical information sheet for details of connections available on pipeline connector  
 Note: Available with IBR certificate on request

### Limiting Conditions

Body design conditions	ASME Class 300
PMA - Maximum allowable pressure	32 bar g @ 250 °C
TMA - Maximum allowable temperature	425°C @ 28 bar
PMO - Maximum operating pressure (Saturated steam)	32 bar
TMO - Maximum operating temperature	239°C
Maximum cold hydraulic test pressure	For IBR= 48 bar For ASME= 75 bar
Differential Pressure	4.5,10,14,21 & 32 bar

### Operating range



### Approximate Dimension (mm) & Weight (kg):

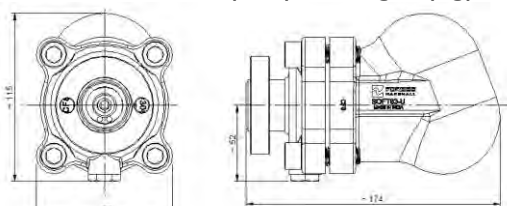


Fig. 1 Weight ~ 3 kg

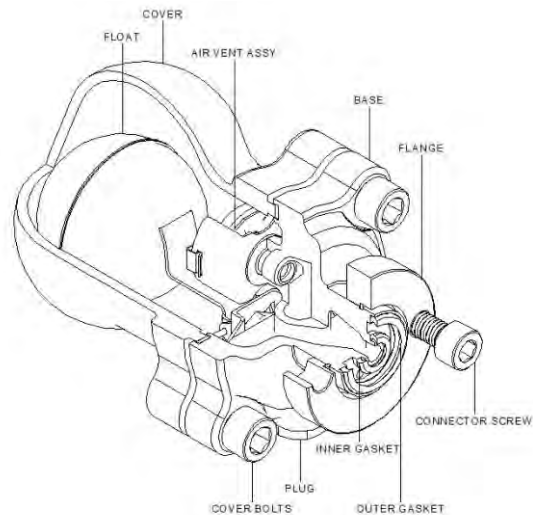
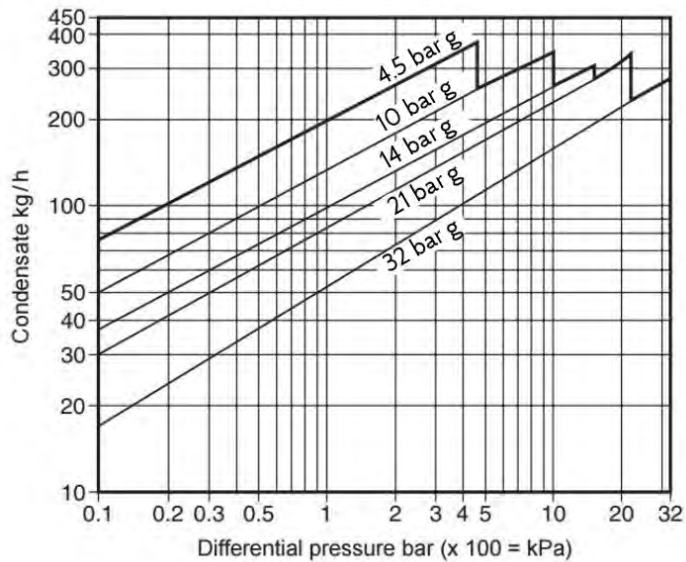


Fig. 2

### Material

S.No	Part	Material	Standard
1	Base	Stainless steel	ASTM A351 CF8
2	Cover	Stainless steel	ASTM A351 CF8
3	Flange	Forged carbon steel	ASTM A105N
4	Plug	Stainless steel	ASTM A276 SS304
5	Inner gasket	Spiral wound gasket	—
6	Outer gasket	Spiral wound gasket	—
7	Cover bolt	Stainless steel	ASTM A193 B8
8	Cover gasket	Exfoliated graphite	—
9	Air vent assembly	Stainless steel	—
10	Float and Float Arm	Stainless steel	ASTM A240 SS304
11	Seat	Stainless steel	ASTM A743 Ca40
12	Seat gasket	Stainless steel	ASTM A240 SS304
13	Mechanism screws	Stainless steel	IS 1364
14	Pivot frame	Stainless steel	ASTM A240 SS304
15	Pivot pin	Stainless steel	ASTM A276 SS304
16	Retaining ring	En42	
17	Connector bolt	Carbon steel	Gr. 8.8 HT

## Capacity Chart



## Safety information, Installation & Maintenance:

For full details see the Installation & Maintenance manual supplied with the product.

## How to Order

When ordering SOFT63-U and pipe line connector they must be ordered individually as they are supplied as separate components to ease installation. Each SOFT63-U is supplied in a protective box complete with inner and outer gaskets & two connector screws.

eg. Forbes Marshall Universal Single Orifice Float Type Steam Trap SOFT63-U-4.5 barg

## Available Spares

Mechanism assembly	10, 11, 12, 13, 14, 15
Air Vent Assembly	9
Cover gasket	8
Float assembly	10
Spiral wound Gasket	5,6

## Disposal:

The SOFT63-U trap unit is manufactured from stainless steel and is therefore totally recyclable. No ecological hazard is anticipated with the disposal of this product provided due care is taken.

## Installation note:

The SOFT63-U can be installed on Forbes Marshall pipe line connector (see separate Installation and Maintenance Instructions for Forbes Marshall pipe line connector). Remove the protective plastic cover and ensure that both gaskets are clean and undamaged. Place the SOFT63-U body against the connector gasket face ensuring that the label 'TOP SIDE' is facing upward and the trap itself is horizontal. Apply a small amount of anti-seize compound to the thread of the connector screws (17). Tighten the screws finger tight until the mating gasket faces are in parallel, intimate contact. Tighten the screws to the recommended torque. Open isolation valve slowly until normal operating conditions are achieved. Check for leaks.

## Tool Kit & Recommended Tightening Torques (Refer Fig. 3):

Part	⚙️	Torque (Nm)
Mechanism seat (11)	17 mm (A/F)	45-55
Mechanism assembly screws(13)	Screw Driver	2.5-3
Air Vent Seat (L)	17 mm (A/F)	45-55
Plug (4)	19 mm (A/F)	50-55
Cover allen bolts (7)	10 mm Allen Key	45-55
Connector bolts (17)	8 mm Allen Key	40-45

## How to Order Spares

Always order spare parts by using the description given in the table above & state the name and pressure rating of the trap.

eg. Cover Gasket for Forbes Marshall Universal Single Orifice Float Type Steam Trap SOFT63-U 4.5 barg

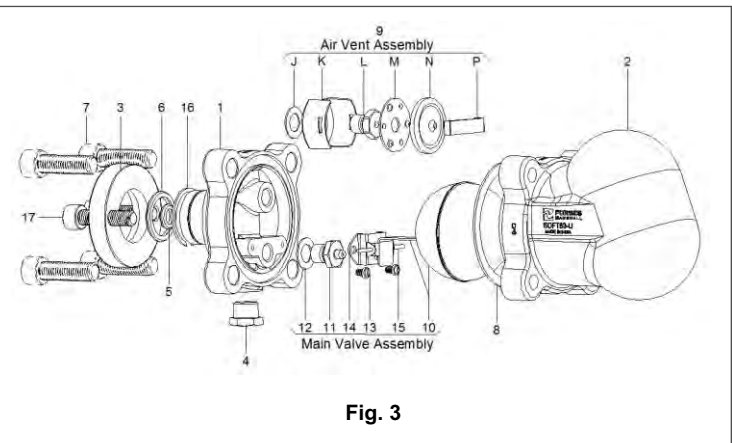


Fig. 3



www.forbesmarshall.com

Forbes Marshall Arca

Codel International

Krohne Marshall

Forbes Vyncke

Forbes Marshall Steam Systems

**A: Forbes Marshall Pvt. Ltd.**  
Opp. 106th Milestone, CTS 2220,  
Mumbai-Pune Road, Kasarwadi,  
Pune MH 411034 INDIA

**P:** +91(0)20-68138555

**F:** +91(0)20-68138402

**E:** ccmidc@forbesmarshall.com

© All rights reserved. Any reproduction or distribution in part or as a whole without written permission of Forbes Marshall Pvt Ltd, its associate companies or its subsidiaries ("FM Group") is prohibited.

Information, designs or specifications in this document are subject to change without notice. Responsibility for suitability, selection, installation, use, operation or maintenance of the product(s) rests solely with the purchaser and/or user. The contents of this document are presented for informational purposes only. FM Group disclaims liabilities or losses that may be incurred as a consequence of the use of this information.

**Forbes Marshall International Pte. Ltd.**

16A, Tuas Avenue 1,  
#05-21, JTC Space @Tuas  
Singapore - 639533

**P:** +65 6219 3890

**CIN No:** U28996PN1985PTC037806