

CS41 Conductivity Sensor

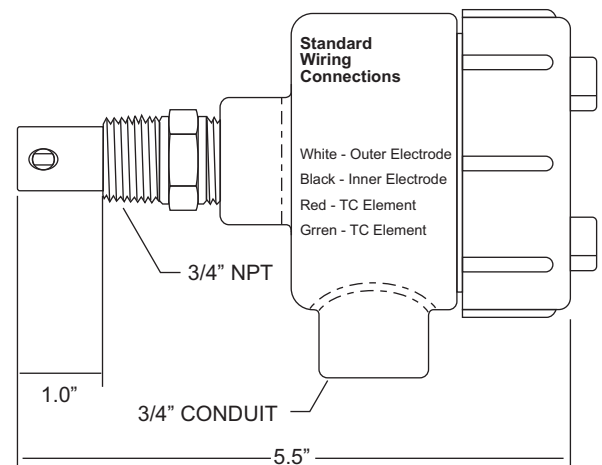
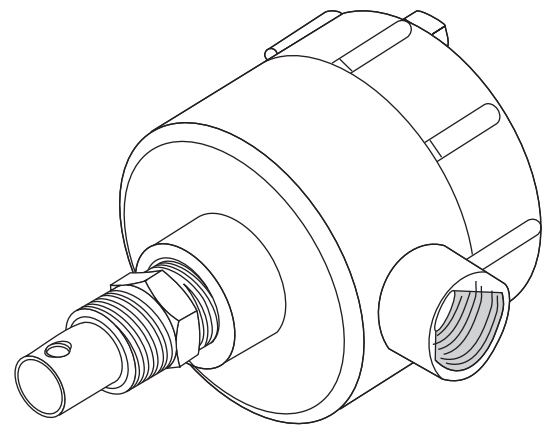
Model CS41 sensor has been designed for high pressure, high temperature conductivity measurements, and is an ideal choice for boiler control applications. Blowdown control, condensate monitoring, leak detection on heat exchangers, and steam purity measurements are just a few of the many applications in which this rugged and reliable sensor can be used.

Salient Features

- Measures conductivity directly in process with high temperature option.
- O-ring seals used on all versions for high on-stream reliability.
- Boiler condensate and blowdown control without coolers.

Wetted materials of construction are 316 stainless steel and Teflon, depending on the range of temperature required. All possible leak paths through the sensor are double sealed with EPR O-rings for maximum on-stream reliability. Hot water is a severe environment for any elastomer, and the front seals bear the brunt of chemical attack, allowing the back seals to remain relatively unaffected. The result is that sensor life is more than double of what can be expected of single sealed, or epoxy sealed units.

Probe constants from 2.0 to 0.05 are available, which will cover the ranges of interest, in most boiler related applications. Temperature compensation elements can be specified to interface with most analyzer brands.



Optional Junction Box
Class 1, Group D, Div. 2,
Explosion Proof, Weatherproof, Aluminium

Specifications

Maximum Pressure/ Temperature Ratings

Standard Sensor	:	100 PSIG at 150°C
High Temperature Sensor	:	250 PSIG at 205°C
Either Sensor	:	400 PSIG at 100°C

Wetted Materials

Electrodes	:	316 Stainless Steel
Insulator	:	Teflon
O-Rings	:	EPR

Connections

Process	:	3/4" MNPT
Electrical	:	3/4' FNPT conduit hub; terminal strip to accept stripped leads

Ordering Information

Part No.	Cell constant	Connection
CS41-001-HT-PT100-33FT-3/4	0.01	3/4"NPT (M)
CS41-010-HT-PT100-33FT-3/4	0.1	3/4"NPT (M)
CS41-100-HT-PT100-33FT-3/4	1	3/4"NPT (M)
CS41-10-HT-PT100-33FT-3/4	10	3/4"NPT (M)

*Above models comes with inbuilt 10 M cable.
Different cable lengths are also available



Forbes Marshall
Krohne Marshall
Forbes Marshall Arca
Codel International
Forbes Solar
Forbes Vyncke
Forbes Marshall Steam Systems

Opp 106th Milestone
Bombay Poona Road
Kasarwadi, Pune - 411 034. INDIA
Tel : 91(0)20-27145595, 39858555
Fax : 91(0)20-27147413

Email : pasales@forbesmarshall.com, ccmidc@forbesmarshall.com

All contents herein are the property of Forbes Marshall Private Limited ("FMPL") or Forbes Marshall Steam Systems Private Limited ("FMSSPL"), as the case may be, and having protection under the intellectual property rights. Any reproduction, distribution or disclosure without prior written permission is prohibited. Information in this document is subject to change without notice.

B-85, Phase II, Chakan Indl Area
Sawardari, Chakan, Tal. Khed
Dist. Pune - 410 501. INDIA
Tel : 91(0)2135-393400

A-34/35, MIDC H Block
Pimpri, Pune - 411 018. INDIA.
Tel : 91(0)20-27442020, 39851199
Fax : 91(0)20-27442040

CIN No.: U28996PN1985PTC037806
www.forbesmarshall.com