

# Schaffer Diaphragm Pressure Gauge (SH)

## Introduction

The SH model process pressure gauges meet the stringent demands of low pressure measurements in process industries. These Schaffer diaphragm gauges have a relatively high actuating force. The annular clamped diaphragm is extensively insensitive to vibrations. With highly viscous, crystalline or strongly heterogeneous media, open process connections are used to ensure that the gauges are easy to clean.

## This gauge is available in

Nominal sizes:	100 and 150 mm dial sizes
Ranges:	0 to 250 mmWc upto 6000 mmWc

## Features

- Compliance to latest EN837-3
- Std. ranges : 0 to 250 mmWc upto 6000 mmWc
- Overload capacity 110 % of FSD
- Protection to IP67
- Accuracy class  $\pm 1.6\%$  FS
- SS casing
- Dry
- Socket to case - TIG argon welded



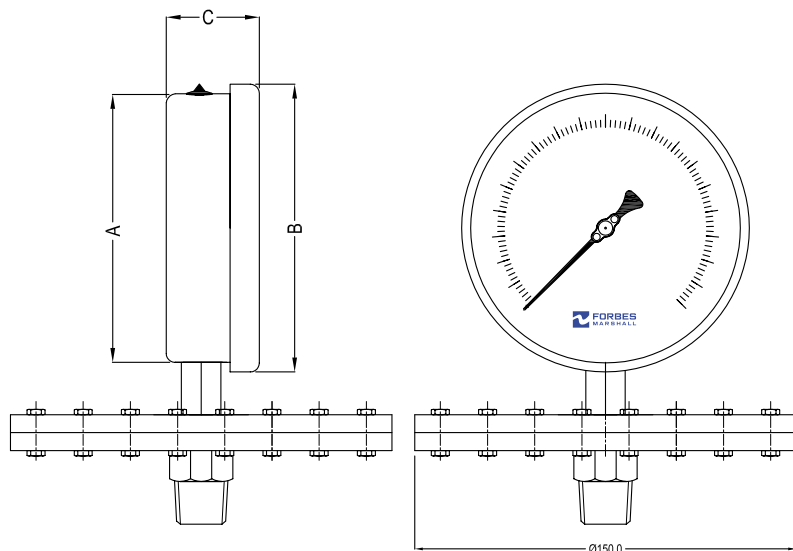
## Applications

- Chemical and Fertilizer industries
- Petrochemical Industry
- Thermal, nuclear and hydroelectric power stations
- Pharmaceutical Industry
- Food processing Industry
- Water treatment plants
- Iron and steel Industry
- Rubber molding / processing plants
- Hydraulics and pneumatics
- Sugar Industry
- Refineries
- Hydraulic power packs
- Cryogenics

## Standard Product Specifications

Standards	Description
Reference standard	EN837-3
Mounting	Direct bottom
Connection	1/2" NPT (M)
Case and bezel	SS304
Diaphragm	SS316L
Socket	SS316L
Movement	SS304
Top chamber	SS304
Bottom chamber	SS316
Dial	Aluminum, white background with black marking
Pointer	Aluminum, black color micrometer with zero adjustable
Accuracy	±1.6% of FS (as standard)
Over pressure limit	As per EN standard
	110% of maximum scale value
Window	Toughened glass
Protection	IP67
Blow off disc and illing plug	Neoprene
Gasket	Silicon
Ambient temperature	-25°C to +65°C
Process temperature	Max. 65°C

Mounting - 1



Parameters	Dial Size	
	100	150
A	Ø100	Ø150
B	Ø110	Ø160
C	52	52

\*Mounting: 1-Direct Bottom  
Note: Diagram not to scale. Tolerance of ± 2mm on diameter

## Pressure Range

Code	mmWc (CODE-X)
AO	0 + 250
AP	0 + 400
AQ	0 + 600
AY	0 + 1000
AZ	0 + 1600
BA	0 + 2500
BB	0 + 4000
BC	0 + 6000

Code	mmWc (CODE-X)
DU	-250 + 0
DV	-400 + 0
DW	-600 + 0
DX	-200 + 400
DY	-100 + 150
DZ	-400 + 600
EM	-600 + 400
EQ	-500 + 500
ES	-1000 + 0

## Ordering Information

<b>Model</b>	SH	**	*	*	*	*	**	*
<b>Dial Size</b>								
100 mm	E							
150 mm	F							
<b>Mountings</b>								
Direct Bottom	1							
<b>Connection Size</b>								
1/4"	A							
3/8"	B							
1/2"	C							
M20X1.5P	1							
Specials***	Z							
<b>Connection Type</b>								
NPT (M)	A							
BSP (M)	B							
BSPT (M)	C							
Metric Thread (M)	M							
Specials***	Z							
<b>Range</b>		**						
Special Range	**							
<b>Engineering Unit*</b>								
mmWc	*							

\* We offer other scales such as mBar, mWc etc. with equivalent ranges on request

\*\*For ranges, please refer to pressure range tables

\*\*\* for special requirement please consult Forbes Marshall

### Case and Bezel

SS304 (Std.)  
SS 316

### Socket

SS 304  
SS 316  
SS 316 L (Std.)

### Movement

SS 304 (Std.)  
SS 316

### Pointer

Micrometer Pointer

### Window

Toughened Glass (Std.)  
Shatterproof Laminated  
Safety Glass

### Top Chamber

MS Powder Coated  
Top Chamber  
SS 304 (Std.)  
Carbon Steel  
SS 316

### Diaphragm

SS 316 L (Std.)  
INCONEL 600  
INCONEL 825  
TANTALUM  
MONEL 400

### Bottom Chamber

SS 316 (Std.)  
INCONEL 600  
INCONEL 825  
MONEL 400

### Tests and Certificates

Three point calibration certificate  
Five point calibration certificate  
Material test certificates for wetted parts  
NACE conformity for wetted parts  
Helium leak test  
Special requirement – please specify\*

### Optional Features

Accuracy 2% of FS  
Over range protection of 150% of FS\*\*\*  
Tag marking on dial  
SS tag plate  
2" Pipe mounting bracket in SS 304  
2" Pipe mounting bracket in SS 316  
Internal vacuum stop  
External zero adjustment  
Diaphragm and PTFE protection – specify type of protection  
Special flange process connection \*  
Special requirement – please specify \*

Ordering example : SHE1CABAL- 0000 (Standard Code)



Forbes Marshall  
Krohne Marshall  
Forbes Marshall Arca  
Codel International  
Forbes Solar  
Forbes Vyncke  
Forbes Marshall Steam Systems

Plot No. A-19/2 & T-4/2, I.D.A  
Nacharam, Hyderabad - 500 076  
Tel : +91-40-27179223, 27171909,  
27170732  
Fax : +91-40-27173235

Email : [response@forbesmarshall.com](mailto:response@forbesmarshall.com), [ccmidc@forbesmarshall.com](mailto:ccmidc@forbesmarshall.com)

All contents herein are the property of Forbes Marshall Private Limited ("FMPL") or Forbes Marshall Steam Systems Private Limited ("FMSSPL"), as the case may be, and having protection under the intellectual property rights. Any reproduction, distribution or disclosure without prior written permission is prohibited. Information in this document is subject to change without notice.

B-85, Phase II, Chakan Indl Area  
Sawardari, Chakan, Tal. Khed  
Dist. Pune - 410 501. INDIA  
Tel : 91(0)2135-393400

A-34/35, MIDC H Block  
Pimpri, Pune - 411 018. INDIA.  
Tel : 91(0)20-27442020, 39851199  
Fax : 91(0)20-27442040

CIN No.: U28996PN1985PTC037806  
[www.forbesmarshall.com](http://www.forbesmarshall.com)